



FEATURES

- RESISTORS AND CAPACITORS AND SCHOTTKY DIODES ON A SINGLE CHIP
- SURFACE MOUNT SOIC/SSOP/TSSOP PACKAGE
- CUSTOM RESISTORS & CAPACITORS AVAILABLE
- ESD PROTECTION IN EXCESS OF 5000 VOLTS

APPLICATIONS

- LOW PASS FILTER
- EMI/RFI REDUCTION
- POWER SUPPLY FILTER
- REDUCE NOISE ON HIGH SPEED DATA LINES
- CLAMP NEGATIVE SPIKES

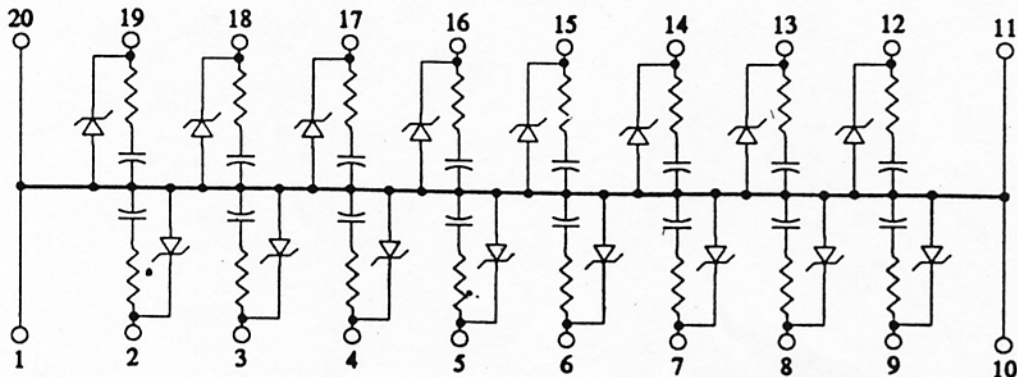
ELECTRICAL CHARACTERISTICS

RESISTOR	47 Ω
RESISTOR TOLERANCE	+/-10%
CAPACITOR	33 pF
TOLERANCE	+/-10%
DIODE	
Forward Voltage VF @ IF = 1mA	0.46V max.
Forward Voltage VF @ IF = 16 mA	< 1V
Maximum Total Power Dissipation (PT)/Package	140 mW
Diode Capacitance (CD) @ 0V	15 pF max
Diode Ohmic Resistance (RS)	5 W
Charge Carrier Lifetime (tL) IF = 5mA	100pS max.
Reverse Breakdown Voltage (RV) @ IR = - 1 μ A (25°C)	> 20V
Reverse Breakdown Voltage (RV) @ IR = - 10 μ A (70°C)	> 20V
Maximum Operating Voltage	10V

MECHANICAL CHARACTERISTICS

LEAD PLATING	TIN - LEAD
LEAD MATERIAL	COPPER ALLOY
LEAD COPLANARITY	0.012 mm
SUBSTRATE MATERIAL	SILICON
BODY MATERIAL	MOLDED EPOXY

RCD SCHEMATIC



Note : Pins 1, 10, 11 & 20 are connected to system ground

ALL MEASUREMENTS DEFINED AT 25°C
PATENT PENDING